

WANDELI[®]
— 万德力 —

WANDELI[®]
— 万德力 —



泉州万德力机械有限责任公司
QUANZHOU WAN DE LI MACHINERY CO.,LTD
地址: 福建省泉州市台商投资区洛阳镇洛阳大道526号
Add: No.526 Luoyang Road,Luoyang Town, Taiwanese
Investment Zone,Quanzhou,Fujian Province 电
话(Tel): 0086-595-87877666
传真(Fax): 0086-595-87486899
售后热线(After-sale Hotline): 400-001-0696 邮
箱(E-mail): qzwdljx@126.com
国际邮箱(International mailbox): wdljx@hotmail.com
<http://www.qzwdljx.com>



INSTRUCTION MANUAL
WANDELI MACHINE

Content

1. Safety Instruction	1
1.1 Safety Signs.....	1
1.2 Safety instruction of operation.....	1
2. Introduction of cutting machine	2
2.1 Brief introduction.....	2
2.2 Application.....	2
2.3 Structure.....	2
3. Operation Instruction	3
3.1 Operation instruction of Automatic series.....	3
3.2 Operation instruction of manual series.....	3
3.3 Height adjust of working platform.....	4
3.4.The use of cutting host and cutting depth adjustment.....	4
3.5 Adjusting of cutting size.....	4
3.6 45 degree cutting.....	5
3.7 Diagonal cutting.....	5
3.8 Diamond cutting.....	5
4. Installation	6
4.1 Lift the working platform and adjust to proper height.....	6
4.2 Installation of side ruler and extension support.....	6
4.3 Water pump.....	6
4.4 Installation of saw blade.....	6
4.5 Power connection.....	6
5. Machine Operation	6
5.1 Material cutting.....	6
6 Maintenance	7
6.1 Maintenance on cutting motor :please refer to the instruction of cutting motor	7
7 FAQ	7
7.1 Step of failure finding.....	7
7.2 Wiring diagram of automatic control box.....	8
7.3 Troubleshooting scheme.....	9

1. Safety Instruction

WANDELI ceramic tile&stone cutting machine is the special design tools for ceramic tile and stone cutting, which is adopt for construction site.

The use of this product for purposes other than those specified in the instructions will be deemed to be a violation of the operation, and the user shall bear all the risks and loss, the manufacturer will not be responsible for it. Compliance with instructions for use and compliance with inspection and maintenance requirements is also considered to be the content of products used in accordance with regulations

1.1 Safety Signs

All kinds of safety signs on the cutting machine is to explain the important warning contents and suggestions that users should pay attention to. The signs are as follows:

 <p>Please read the instruction manual</p>	 <p>Please be sure to wear the hearing protection</p>
 <p>Please be sure to wear the glove</p>	 <p>Please be sure to wear the goggles well</p>
 <p>Rotating direction of saw blade</p>	 <p>Danger: Beware of cuts</p>

1.2 Safety instruction of operation

Before operation:

- Before operation starting, please be familiar with the working environment. The elements include: obstacles in and around the site, the firmness of the floor, the public passage, and whether there are necessary protective measures or person seeking help in the event of an accident the object of help in the event of an accident.

- Check regularly that the saw blade is properly installed.
- Remove the damaged or severely worn saw blade immediately, otherwise, the rotating saw blade will endanger the safety of the operator.

- For safety, do not leave the cutter unattended and power on standby

When the machine is working:

- Do not move the machine when the saw blade is idling.
- Apply water cooling during cutting and ensure continuous supply of cooling water!
- When the cutting is completed, turn off the power and unplug it from the socket.
- Ensure that all electrical appliances are securely connected so as not to cause electrical wiring to be affected in wet or foggy environments.
- If you can't find any obvious reason for the sudden shutdown of the machine, turn off the main power supply. And please require the qualified electrician to check the cause and repair.

2. Introduction of Cutting Machine

2.1 Brief introduction

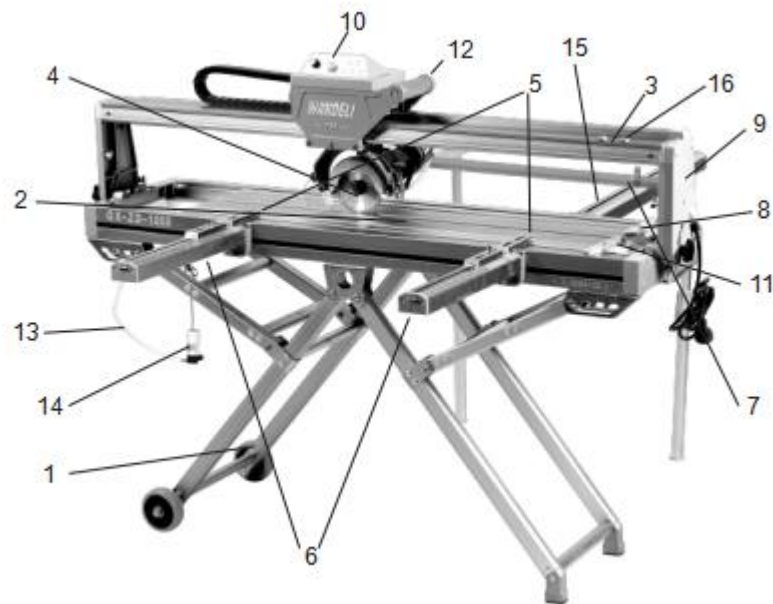
WANDELI portable ceramic and stone cutting machine is specially designed for different kinds of ceramic tile and stone cutting, with durable and excellent performance, which can be adopt widely in the wet cutting.

Same as all other WANDELI products, users will immediately feel the our attention to the design details and material quality of this product. The cutting machine and its components are assembled by high standard to ensure that the product is durable and minimizing the maintenance costs.

2.2 Application

This cutting machine is specially designed for ceramic tile and stone, and the cutting type is wet cutting. Do not use for wood or meta cutting.

2.3 Structure



- 1. Support 2. Platform 3. Guide Rail 4. Cutting Motor
- 5. Positioning Rule 6. Side Ruler Support 7. Side Ruler Backup Plate 8. Tool setting part
- 9. Guide Rail Backup Plate 10. Electric Cabinet 11. Universal Backing Plate
- 12. Handle 13. Drainpipe 14. Pump 15. Extension support 16. Sensor Magnet

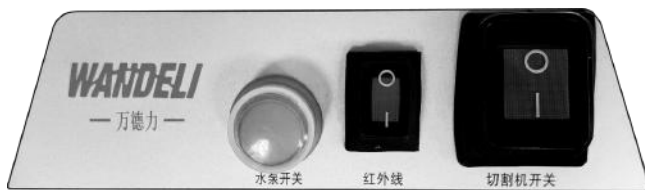
3. Operation Instruction

3.1 Operation instruction of automatic series



Auto
Start at any position, automatic start and automatic back
Semi-auto
Start at any position, automatic start and stop at sensor magnet
Emergency Switch, clockwise rotating to start the main power and press it to cut off the main power

3.2 Operation instruction of manual series



Manual mode
Cutting by manual after starting
Emergency Switch, clockwise rotating to start the main power and press it to cut off the main power

3.3 Height adjust of working platform

a. Adjusting the height of working platform

First step on the lower horizontal bar of support leg of the machine, lift the platform ② up by one hand, then lift the pin on the support leg in to the required height slot by another hand.

Repeat above procedure at the other end. Set the workbench to the desired height.

b. Folding the support legs

First step on the lower horizontal bar of support leg ①, and pull up the platform ② up at the same time, then the machine will drop, when the machine is stable, move your leg out; repeat above procedure at the other end.

3.4 Use of cutting motor and adjust of cutting depth

3.4.1 Use of cutting motor: please check the instruction manual of cutting motor

3.4.2 Use of saw blade:

a. Please choose right cutting saw blade for different processing requirements and tile quality

b. Special note: When installing the saw blade, the bottom of blade should be adjusted below the surface of platform pit and not more than 2 mm as the standard. If exceed the standard, it will happened that saw blade to be blunt, deformation and work life reduction and other undesirable phenomena. Bad phenomenon is more obvious if more exceed.

c. Pay attention to the cooling water, ensure that the water flow is straight to the cutting point to make sure the saw blade show its best working condition

d. When the new saw blade is in operation, the cutting should be slowly to prevent the saw blade from transformation and damage, when edge of saw blade is becoming sharp, then speed cutting up gradually to normal working.

e. When the saw blade is slightly deformed during operation, the saw blade should be removed in time and to change the direction of installation. Please push the cutting motor slowly after installation, calibration and re-blade. After well calibration, it can be operated normally.

f. Pay attention to the press nut of the mounting saw blade to avoid the slip caused by the insufficient torque of the nut. Ensure safe production.

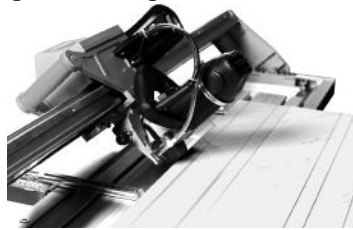
3.5 Adjusting of cutting size

Adjust the cutting position ruler ⑤ to touch the cutting piece according to the size required, and lock the positioning ruler, place the calibration mirror on the positioning ruler side to zero and lock. Move the calibration mirror to the required size according to the cutting size and tighten. Note: Both two positioning rulers should be locked at zero.

Stay the side ruler backup plate tight, and tighten the tighten the screws on both plate.

3.6 45 degree cutting

a.Installation of 45 degree cutting ruler: adjusting by the length of cutting tile, to place the 45 degree ruler into the T type slot from the side close to the saw blade, then move to the proper position



b.Adjusting of 45 degree cutting ruler: according to the thickness of corner edges to be retained, and adjust the scale of 2 sets of rulers⑤, tighten the screws after adjusted and check the ruler is attached to the platform or not.

c. Inclining guide rail: loose the both side screw on the guide rail support plate⑨, turn the guide rail to 45 degree, tighten the screws.

d. Move the side of tile to against the 45 degree cutting ruler⑤, and tighten the screws on rulers.

3.7 Diagonal cutting

When carry out the diagonal cutting and 45 degree angular line cutting, first move the tool setting frame about 5cm forward then tighten the screw after alignment of slot and cutting piece; Take a square tile and align the corner against the blade, after diagonal alignment with the cutting piece, move the two universal backing plates ⑩ to both sides of the tile,after forming the angle of 90 degree, tighten the two universal plate screws, and finally return the tool setting part⑧ to the starting position, then start cutting.



3.8 Diamond cutting

When carry out the diamond cutting, move a universal plate to the proper position, which is according to the size of diamond, hold the edge of the platform with the right side of the triangle ruler, align the universal plate with the beveled edge of the triangle ruler, tighten the screw after forming 45 degree with the side of the platform, hold the beveled edge of tile to be cut against the universal backup plate, move the tile back and forth according to the size of the diamond to be cut, after determining the size, tighten the screw after removing other universal plate and place against the other side.



4.Installation

When the cutting machine is delivered, the accessories are complete. Equipped with special saw blade, handle and side ruler, water pump, connected to the power supply,then the machine can be put into operation.

4.1.Lift the working platform and adjust to proper height

4.2.Installation of side ruler and extension support

a.Install both two side rulers at any side of platform on the side ruler support plate, the height of side ruler can be adjusted according to requirement.

b. The extension support is installed at the other side, move forward and backward according to required position.

4.3.Water pump

Connect the water pump with the cooling water pipe, and place it in the middle of the water level of the bucket, the cooling water should be replaced in time, so as not to cause the damage of the pump.

4.4.Installation of saw blade

The max. diameter of saw blade could be installed is 116mm.

The main power must be turn off before changing the new saw blade.

The procedure of new saw blade installation is as following:

- . Loosen the hex screw on the saw blade shaft (note: left thread) with removable outer flange on the saw blade shaft.
- . Remove outer flange.
- . Clean flange and saw blade shaft, and check there is wear or not.
- . Install the saw blade on the saw blade shaft and make sure the saw blade rotates in the right direction. The wrong direction of rotation will blunt the saw blade quickly.
- . Re-install the outer flange.
- . Tighten the hex screw with the wrench with the machine

4.5.Power connection

Connect the machine and water pump to power connector.

(Note: Do not splash water at the power connection)

5.Machine Operation

5.1.Material cutting

In order to use the machine correctly, you must put one hand on the handle, during the operation, remember to keep your hands away from the rotating saw blade for safety

- . Grab the handle on the cutting machine and press the cutting head to

the desired cutting depth (When carry out the cut-off, press the cutting head to a position where the saw blade is 2 mm lower than the platform).

- . Place the material on the platform.
- . Slowly pull the cutting motor towards the direction of the material, do not force too much, and for 45 degree cutting, remember to slow down.

Note: Operating as recommended, but it does not mean that the cutting motor must be locked in a specific position. If the pressure required for deep cutting is too high (e.g. when cutting very strong materials), the whole cutting process can also be divided into 2 or 3 small deep cutting.

6. Maintenance

To ensure the long-term quality stability of WANDELI cutting machine, please follow the following maintenance plan:

6.1 Maintenance on cutting motor :please refer to the instruction of cutting motor .

6.2 Clearance of the machine

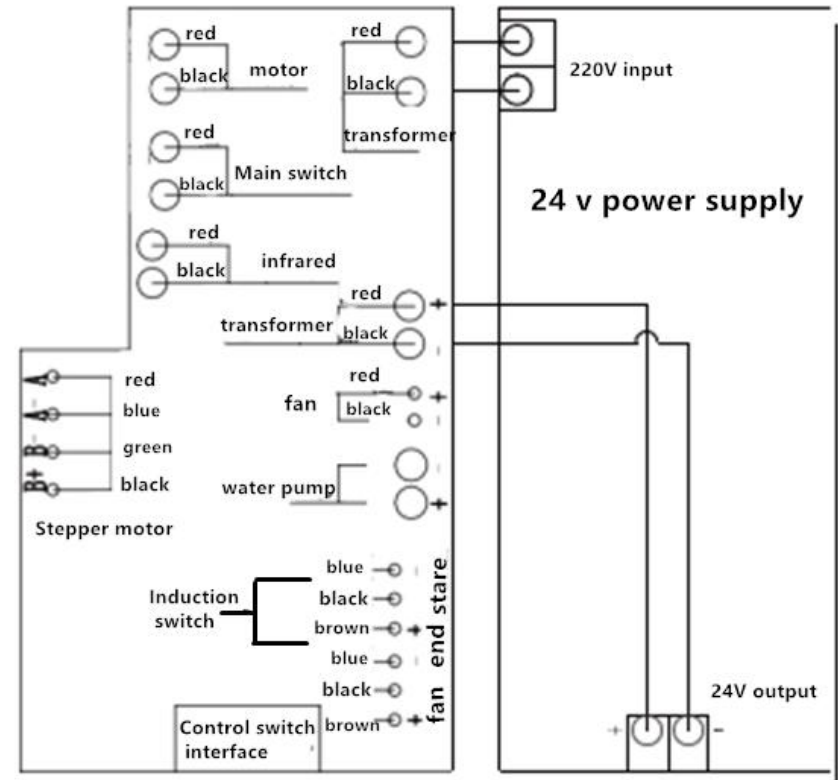
If the machine is thoroughly cleaned after the end of daily work, the service life of the machine will be extended. So does the water pump, guide rail, motor, saw blade and flange.

7 FAQ


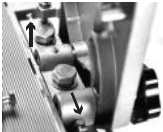
7.1 Step of failure finding

If a failure occurs during the operation of the machine, turn the machine off and then turn off the main power. Circuit system or machine power problems can only be resolved by a professional electrician.

7.2 Wiring diagram of automatic control box



7.3 Troubleshooting scheme

FAQ	Possible reason	Solution
No functioning of motor	No power	Checking the power
	Switch damage	Note:Only can be solved by qualified electrician
	Motor damage	Change the motor
No water on the saw blade	No enough water in the bucket	Filling water
	Tap is off	Turn on the tap
	Cooling water supply system blocked	Cleaning the cooling water system
	Pump out of service	Change the water pump
	Water is too dirty	Change the water
	Air come into the pump	Press the water pump inlet and put it into the water
Galling or breakage on the cutting edge of cutting pieces	Deformation of the saw blade	Change the saw blade or change the direction of saw blade
	Shift of motor mechanism	First loosen the two screws of motor frame slightly, then adjust by the top screw of the motor frame. 
	Improper saw blade is selected	Change the saw blade
Weighted or slowed down during cutting	Cutting speed is too fast	Slow the cutting speed
	Saw blade is blunt	Edged (Edged with abrasive materials such as red brick, refractory brick and limestone)
Different cutting depth when inclining the guide rail 45 degree	Damage of saw blade	Change saw blade
	Shift of guide rail support slider	Adjust the top screw of support slider of guide rail 
	Loosen of the backup plate	Press the backup plate
	The position of side ruler is not accurate	Adjust the position of side ruler

